



AERA INFLEX CYLINDER


Pendant - Deep Round Canopy



 This product must be installed in accordance with the National Electrical Code and all applicable local codes, by a person familiar with the construction and operation of the product, and the hazards involved. Proper grounding is required for safety.

Ce produit doit être installé suivant le code national de l'électricité, ainsi que tous les codes locaux applicables, par une personne familière avec la construction et le fonctionnement du produit, ainsi que tous les risques qui y sont associés. La mise à terre électrique est obligatoire pour la sécurité.

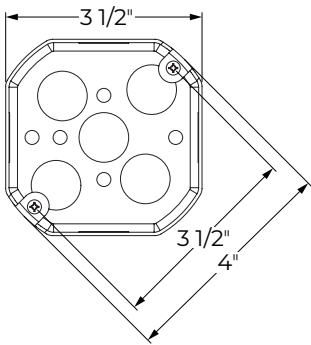
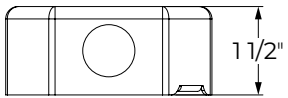
 Wire dimming conductors as Class 1.

 For electrical connections, please refer to the [wiring diagram guide](#).



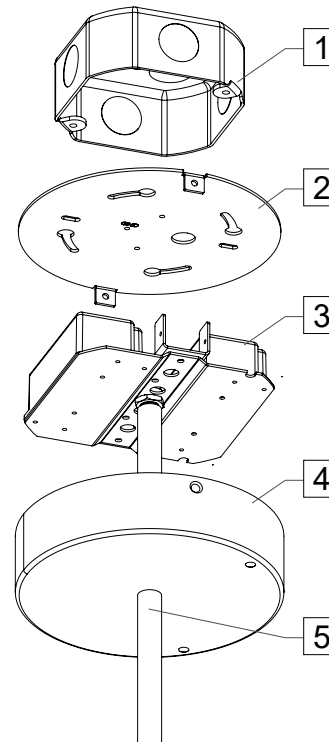
OVERVIEW

Junction box (by others)




Standard 4" octagonal junction box

Stem




Items list

1	Standard J-box (by others)
2	Mounting plate
3	Driver bracket
4	Deep round canopy
5	Stem

 Tools Required
Philips screwdriver

 Installation steps are shown with remote driver, also applicable for integral driver.

 For remote driver box, please refer to the [remote driver installation sheet](#) for more information.



AERA INFLEX CYLINDER

Pendant - Deep Round Canopy



1 MAKE ELECTRICAL CONNECTIONS AND FIX MOUNTING PLATE.

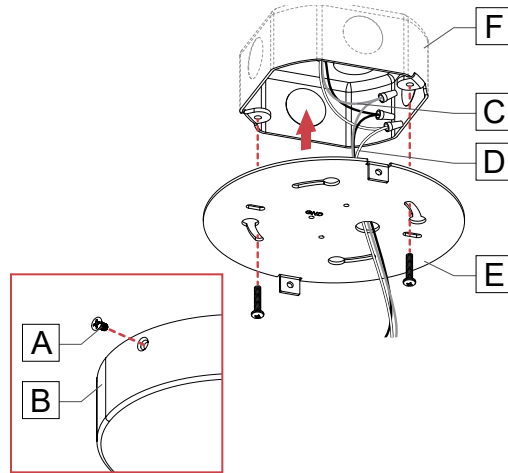
Remove screws [A] from the canopy assembly [B].

Make electrical connections between the main power [C] and the driver [D] using wire nuts (by others).

Mount and turn the mounting plate [E] to place on the junction box [F].

Tighten screws to secure the mounting plate [E] to the junction box.

Note: Number of wires may vary.

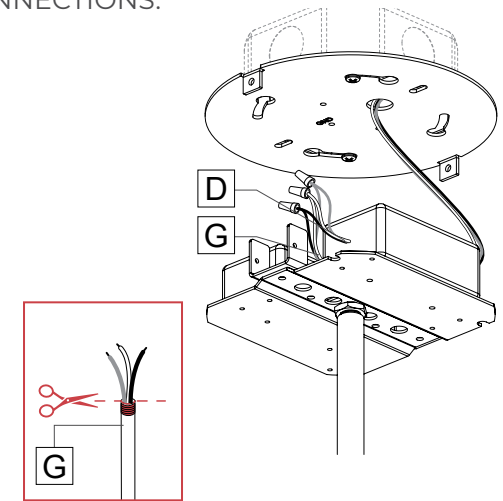


2 MAKE ELECTRICAL CONNECTIONS.

Adjust the cable length by cutting and stripping the fixture cable [G] to the desired length for the height of the fixture.

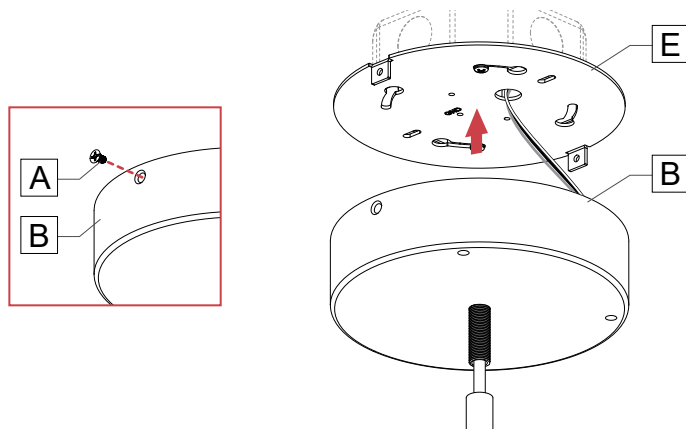
Make electrical connections between the driver [D] and the fixture cable [G] using wire nuts (by others).

Warning: A luminaire with more than one power supply connection means shall be connected to only one branch circuit.



3 MOUNT CANOPY.

Place the canopy [B] over the mounting plate [E] and secure with the provided screws [A].



Mount the stem [H] on the threaded nipple.

